



PUBLIC ADDRESS SYSTEM

OPERATION MANUAL

T-2221 CD + TUNER PLAYER



Please follow the instructions in this manual to obtain the optimum results from this unit. We also recommend that you keep this manual handy for future reference.

TABLE OF CONTENTS

1. SAFETY PRECAUTIONS	3
2. FEATURES	5
3. NOMENCLATURE AND FUNCTIONS	
3.1 Front Panel	5
3.2 Real Panel	6
3.3 Remote control	6
4. CONTROL INSTRUCTION	7
5. BLOCK DIAGRAM	8
6. SPECIFICATIONS	9

1. SAFETY PRECAUTIONS

- Be sure to read the instructions in this section carefully before use.
- Make sure to observe the instructions in this manual as the conventions of safety symbols and messages regarded as very important precautions are included.
- We also recommend you keep this instruction manual handy for future reference.

Safety Symbol and Message Conventions

Safety symbols and messages described below are used in this manual to prevent bodily injury and property damage which could result from mishandling. Before operating your product, read this manual first and understand the safety symbols and messages so you are thoroughly aware of the potential safety



WARNING

Indicates a potentially hazardous situation which, if mishandled, could result in death or serious personal injury.



CAUTION

Indicates a potentially hazardous situation which, if mishandled, could result in moderate or minor personal injury, and/or property damage.



WARNING

When Installing the Unit

- Do not expose the unit to rain or an environment where it may be splashed by water or other liquids, as doing so may result in fire or electric shock.
- Use the unit only with the voltage specified on the unit. Using a voltage higher than that which is specified may result in fire or electric shock.
- Do not cut, kink, otherwise damage nor modify the power supply cord. In addition, avoid using the power cord in close proximity to heaters, and never place heavy objects -- including the unit itself -- on the power cord, as doing so may result in fire or electric shock.
- Be sure to replace the unit's terminal cover after connection completion. Because high voltage is applied to the speaker terminals, never touch these terminals to avoid electric shock.
- Be sure to ground to the safety ground (earth) terminal to avoid electric shock. Never ground to a gas pipe as a catastrophic disaster may result.
- Avoid installing or mounting the unit in unstable locations, such as on a rickety table or a slanted surface. Doing so may result in the unit falling down, causing personal injury and/or property damage.

When the Unit is in Use

- Should the following irregularity be found during use, immediately switch off the power, disconnect the power supply plug from the AC outlet and contact your nearest **ITC** dealer. Make no further attempt to operate the unit in this condition as this may cause fire or electric shock.
 - If you detect smoke or a strange smell coming from the unit.
 - If water or any metallic object gets into the unit
 - If the unit falls, or the unit case breaks
 - If the power supply cord is damaged (exposure of the core, disconnection, etc.)
 - If it is malfunctioning (no tone sounds.)
- To prevent a fire or electric shock, never open nor remove the unit case as there are high voltage components inside the unit. Refer all servicing to your nearest **ITC** dealer.
- Do not place cups, bowls, or other containers of liquid or metallic objects on top of the unit. If they accidentally spill into the unit, this may cause a fire or electric shock.
- Do not insert nor drop metallic objects or flammable materials in the ventilation slots of the unit's cover, as this may result in fire or electric shock.

CAUTION

When Installing the Unit

- Never plug in nor remove the power supply plug with wet hands, as doing so may cause electric shock.
- When unplugging the power supply cord, be sure to grasp the power supply plug; never pull on the cord itself. Operating the unit with a damaged power supply cord may cause a fire or electric shock.
- When moving the unit, be sure to remove its power supply cord from the wall outlet. Moving the unit with the power cord connected to the outlet may cause damage to the power cord, resulting in fire or electric shock. When removing the power cord, be sure to hold its plug to pull.
- Do not block the ventilation slots in the unit's cover. Doing so may cause heat to build up inside the unit and result in fire.
- Avoid installing the unit in humid or dusty locations, in locations exposed to the direct sunlight, near the heaters, or in locations generating sooty smoke or steam as doing otherwise may result in fire or electric shock.

When the Unit is in Use

- Do not place heavy objects on the unit as this may cause it to fall or break which may result in personal injury and/or property damage. In addition, the object itself may fall off and cause injury and/or damage.
- Make sure that the volume control is set to minimum position before power is switched on. Loud noise produced at high volume when power is switched on can impair hearing.
- Do not operate the unit for an extended period of time with the sound distorting. This is an indication of a malfunction, which in turn can cause heat to generate and result in a fire.
- Contact your **ITC** dealer as to the cleaning. If dust is allowed to accumulate in the unit over a long period of time, a fire or damage to the unit may result.
- If dust accumulates on the power supply plug or in the wall AC outlet, a fire may result. Clean it periodically. In addition, insert the plug in the wall outlet securely.
- Switch off the power, and unplug the power supply plug from the AC outlet for safety purposes when cleaning or leaving the unit unused for 10 days or more. Doing otherwise may cause a fire or electric shock.

An all-pole mains switch with a contact separation of at least 3 mm in each pole shall be incorporated in the electrical installation of the building.

2. FEATURES

1. Dual music source player, built in AM/FM tuner
2. Built in CD, MP3 source
3. One road CD output
4. One road AM/FM tuner output
5. With IR remote control function
6. With independent volume control

3. NOMENCLATURE AND FUNCTIONS

3.1 FRONT PANEL



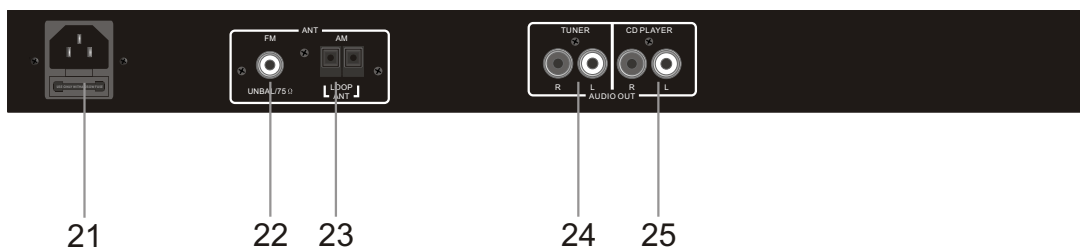
- | | |
|----------------------------|--|
| 1. In/out bin | 11. Power switch |
| 2. Play | 12. Down |
| 3. Stop | 13. UP |
| 4. Play mode (USB/SD card) | 14. AM/FM tuner mode (manual/ auto mode) |
| 5. Last | 15. Menu |
| 6. Next | 16. Next |
| 7. USB mode/CD mode switch | 17. Mute |
| 8. Mute | 18. SD card slot |
| 9. Tuner channel select | 19. USB interface |
| 10. Power indicator | 20. Bin gate |

NOTE:

The case has been connected with power cord, please insert power into the grounded power grid, avoid static electricity interrupting to damage equipment.

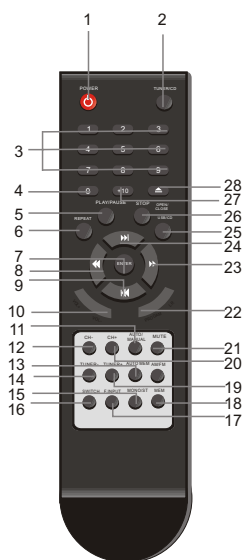
NOMENCLATURE AND FUNCTIONS

3.2 REAR PANEL



21. ~220-240V 50/60Hz power input
22. FM antenna
23. AM antenna. Stop
24. Tuner output
"R" right channel "L" left channel
25. CD output
"R" right channel "L" left channel

3.3 REMOTE CONTROL

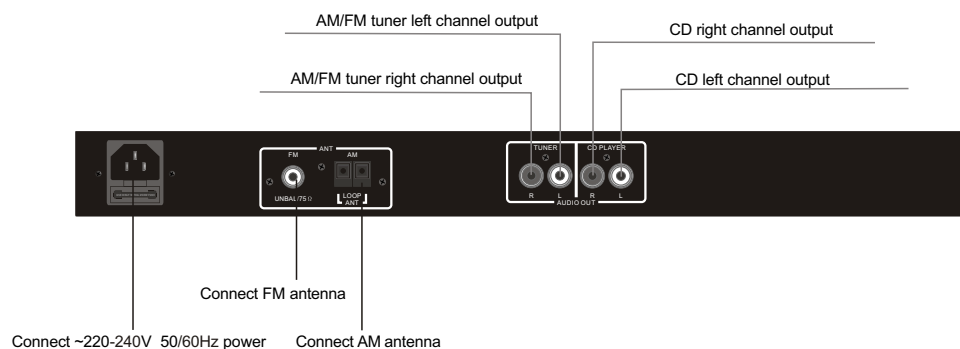


- 1 Power button
- 2 Programming key
- 3 Number keys
- 4 Number keys
- 5 Play / Pause
- 6 Duplicate keys
- 7 Menu key
- 8 Last
- 9 REW
- 10 Increase/decrease volume
- 11 Manual / automatic mode button
- 12 Previous button
- 13 Radio auto / manual switch button
- 14 Radio button
- 15 Channel shift keying
- 16 On / Off key
- 17 Enter
- 18 Manual key
- 19 Radio button
- 20 Next button
- 21 Mute button
- 22 Left and right adjustment key
- 23 Next
- 24 Fast forward key
- 25 USB / CD key conversion
- 26 Stop button
- 27 Channel +10 hex key
- 28 In / out doors button

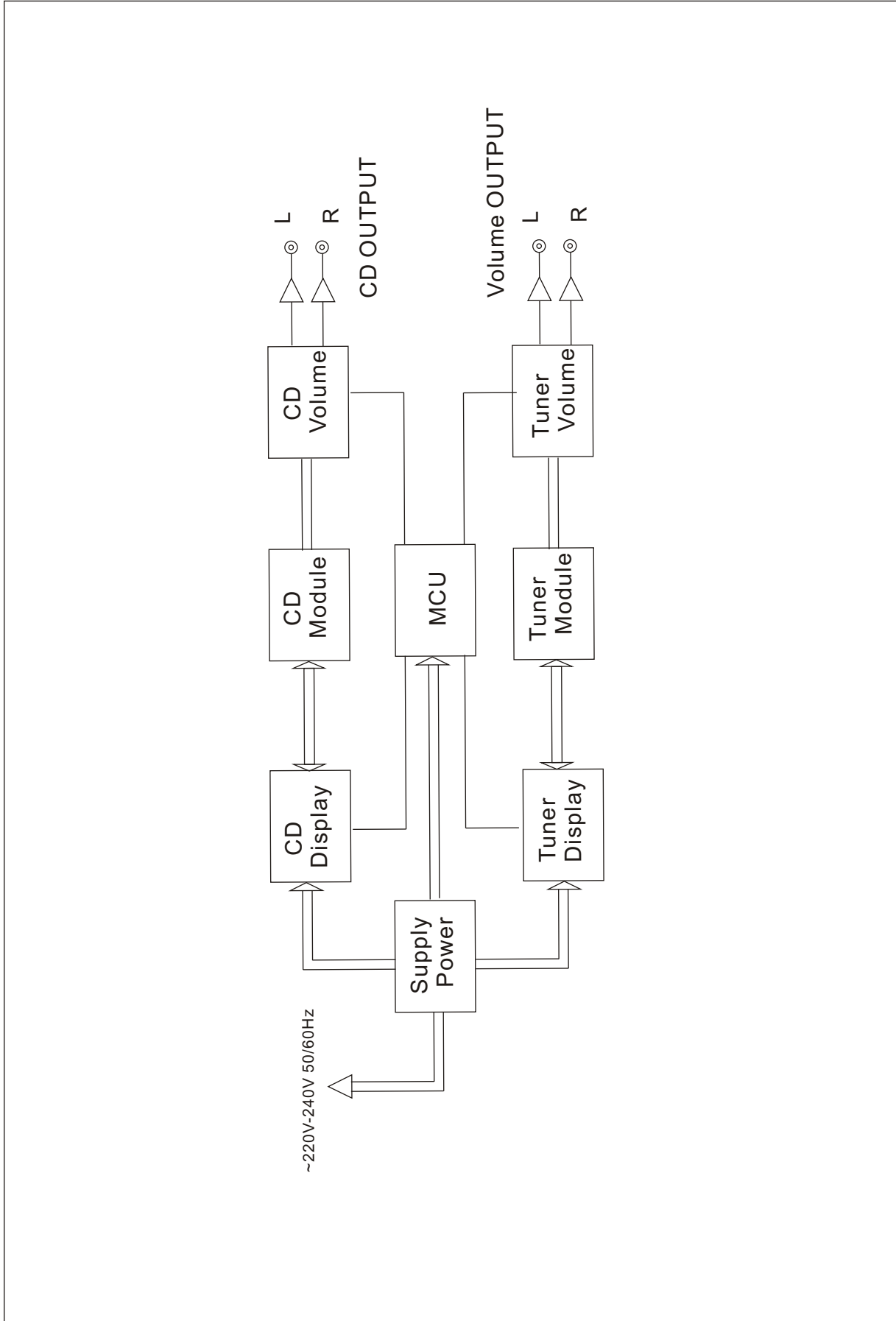
4.CONTROL INSTRUCTION

1. Press "Power Switch",connect with power,power indicator is on,display shows CLOSE, equipment will be reading status in 2 seconds,display shows CORD,if there is no disc, it will show NO DISC.
2. Press "IN/EJECT", display shows OPEN, player will eject tray automatically.
3. Put disc onto tray.
4. Press "In/EJECT" again, display shows CLOSE, it begins reading Disc (CORD) in 2 seconds.
5. No matter what disc, after reading, it will automatically cycle play all.
6. Press STOP, stop, it shows total songs and total time.
7. Press PLAY, it begins cycle play all.
8. Insert USB/SD card, press USB/SD button on remote control,it can read the content, and can control by re mote control or the function keys on the front panel.(NOTE: The max for the USB is 8GB)
9. If there is no disc in the player, it will automatically convert to read USB or SD card.
- 10.The valid distance for the remote control is within 6 meters, the valid angle is ± 45 degree.
- 11.Press remote control can control specified CD/MP3 function.

Connection:



5. BLOCK DIAGRAM



6. SPECIFICATIONS

Model	T-2221
output noise	in pause status: 0.15 ± 0.1 mv
Monitor output	enter 300mv sine wave signal, max volume, non-lossy: $1.85 \pm 0.1V$ 8ohms overload, output
Signal output range	enter 990hz sine wave signal -128kbps-44.1KHZ -2.00Vpp Signal: $1.5 \pm 0.1V$
Output level	500mV
Output impedance	1K Ω
Power consumption	10VA
Frequency	FM: 87-108HMZ; AM: 522-1611KHZ
Sensitivity	FM: $\leq 20\mu V$; AM: $\leq 6.0mV/m$
SNR	FM: $\geq 40dB$; AM: $\geq 36dB$
Communication protocol	20Hz~20KHz($\pm 1dB$)
Communication speed	RS422
Power input	4800BPS
Power input	~220-240V 50/60Hz
Dimension	484X215X48
Net weight	3.7Kg

PUBLIC ADDRESS SYSTEM

