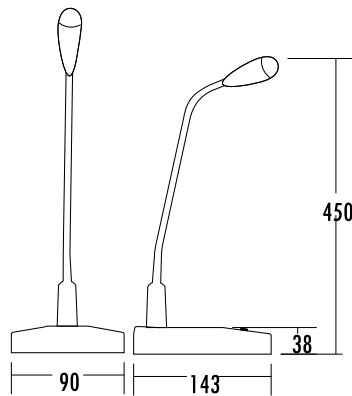




# Microphone

## T-511C



<b>Model</b>	T-511C
<b>Element</b>	Φ9.7 Style Of Capacitance
<b>Polar Pattern</b>	Heart-shape
<b>Sensitivity</b>	-47dB±3dB
<b>Frequency</b>	60Hz~15000Hz
<b>Output Impedance</b>	≤200Ω
<b>Operating Voltage</b>	11~52V