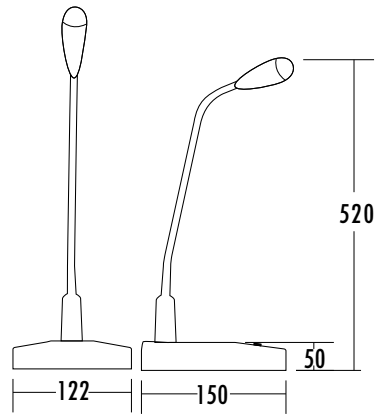




## Microphone

### T-511D (Round ring indicator)



<b>Model</b>	T-511D
<b>Element</b>	Φ9.7 Style Of Capacitance
<b>Polar Pattern</b>	Heart-shape
<b>Sensitivity</b>	-47dB±3dB
<b>Frequency</b>	60Hz~14000Hz
<b>Output Impedance</b>	≤200Ω
<b>Operating Voltage</b>	DC 9V