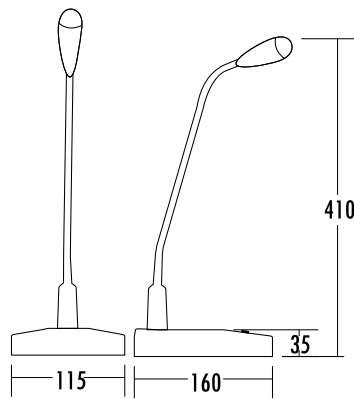




# Phantom Power Condenser Mic

## T-531



### Features

- \* Powered by phantom power from amplifier.
- \* With red ring indicator for service.
- \* XLR convenient connector.
- \* High sensitivity flexible gooseneck.
- \* Unidirectional condenser microphone.
- \* Built-in low frequency attenuator.

<b>Model</b>	T-531
<b>Type</b>	Unidirectional
<b>Frequency Response</b>	50Hz~18KHz
<b>Max Sound Pressure</b>	120dB(at 1KHz ≤1%T.H.D)
<b>Input Sensitivity</b>	200Ω ±30%
<b>Sensitivity</b>	-47dB ±3dB(0dB=1V/Pa at 1KHz)
<b>S/N Ratio</b>	68dB
<b>Power Supply</b>	Phantom power 48V
<b>Mic length</b>	375mm
<b>Output Connector</b>	Balanced XLR connector
<b>Cable Length</b>	3 Meters
<b>Weight</b>	0.88Kg