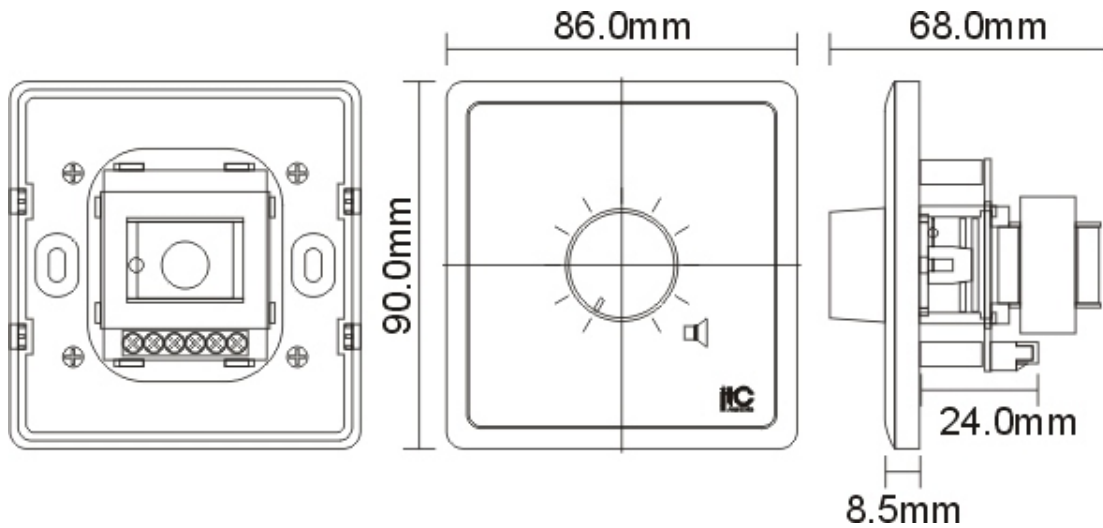


## Specifications

|                           |                            |
|---------------------------|----------------------------|
| <b>Model</b>              | T-671F                     |
| <b>Input Power</b>        | 6W                         |
| <b>Control Mode</b>       | Transformer                |
| <b>Signal Input</b>       | 70~100V                    |
| <b>Signal Output</b>      | 0~100V                     |
| <b>Speaker Type</b>       | Voltage Speaker            |
| <b>Frequency Response</b> | 80-16KHz                   |
| <b>Relay</b>              | With DC24V Relay           |
| <b>Step</b>               | 11 Steps                   |
| <b>Finish</b>             | ABS, white                 |
| <b>Mounting Size</b>      | 86x86x50mm                 |
| <b>Dimension</b>          | 86x90x68mm                 |
| <b>Weight</b>             | 0.16Kg                     |
| <b>Accessory</b>          | One pair screw of M3.5x2.0 |



### Connections

