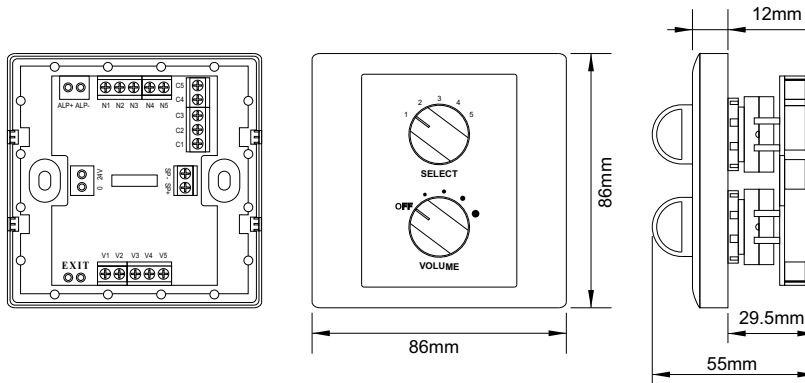
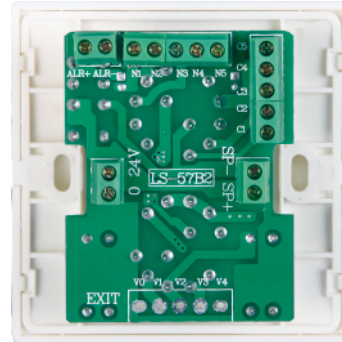




Volume Control with Channel Selector

T-6S



Model	T-6S
Input Power	6W
Control Mode	Transformer
Signal Input	70~100V
Signal Output	0~100V
Speaker Type	Voltage Speaker
Frequency Response	80Hz-16KHz
Attenuation	Impedance
Step	5 steps
Relay	/
Finish	PC, white
Mounting Size	81 x 81 x 60mm
Dimension	86 x 86 x 55mm
Weight	0.15Kg
Accessory	One pair screw of M4 x 25