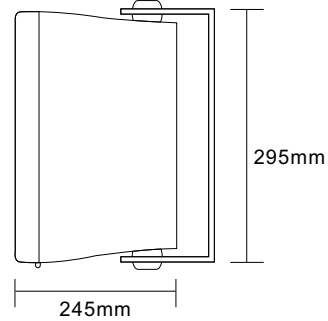
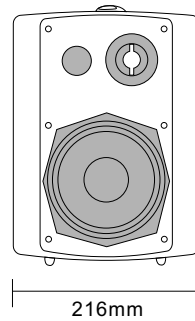
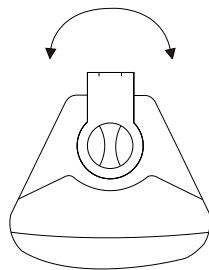




Active Wall Mount Speaker

T-776AW



Model	T-776AW (White)
RMS	25W x 2 @8Ω
Input Sensitivity	0.7V
Frequency Response	70Hz-20KHz/1W, ±0.5dB
THD	20Hz-20KHz/1W, 0.05%
Damping Factor	>200@8Ω/400Hz
Conversion Rate	30V/US
Channel Degree of Separation	>75dB
S.N. Ratio	>95dB
Amplifier	AB class
Indication	Power and channel signal
Protection	High temp, overload, short circuit and clip
Treble Control	±10dB
Bass Control	±10dB
Input Connector	Balanced phoenix connector, dual RCA and stereo 3.5mm earphone input
AC Power Supply	~220V-240V 50/60Hz
Dimensions	216 x 245 x 295mm
Weight	10.1Kg (per pair)