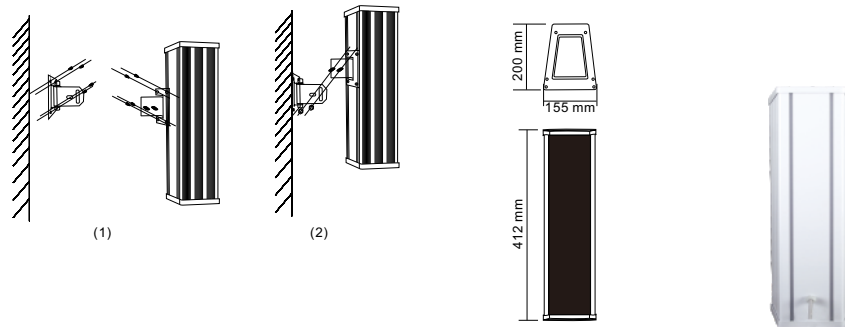
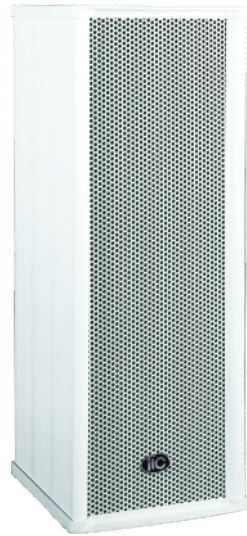




Aluminum Alloy Column Outdoor Waterproof

T-802H



Model	T-802H
Rated Power(100V)	60W
Rated Power(70V)	30W
Max Power	120W
Sensitivity	92dB
Impedance	Black: COM White: 166Ω
Frequency response	100-20KHz
Drive units	4" x 2 3" x 1
Dimensions	155 x 200 x 412mm
Weight	5.2Kg
Material	Aluminum alloy